

Maths @ SBL Year 6 Holiday Home Study

In this pack are a few pages of Maths.

Maths is best done “little and often” so do a page a week, rather than all at once!

Each week has both a ‘main’ section, and a slightly harder challenge on the same topic

Answers will become available at maths.sbllearning.org.uk so you can check them.

Bring your completed marked work to maths in September.



SBL
SIR BERNARD LOVELL
ACADEMY

YEAR 6 transition to YEAR 7

Week 1 -

Calculate the Mean, Mode, Median & Range

Back to Basics

Use the set of data provided to calculate each measure:

3, 9, 1, 4, 3

1.) MEAN =

2.) MODE =

3.) MEDIAN =

4.) RANGE =

5.) $45 \div 1.5 =$

6.) $28 \times 2.3 =$

7.) $23.6 + 37.6 =$

8.) $62.6 - 40.9 =$

Challenge:

Calculate the Mean, Mode, Median & Range

Back to Basics

1.) The MEDIAN of four values is **6**.

4, 10, 2

Calculate the missing value.

2.) The MEAN of four values is **12**.

21, 3, 9

Calculate the missing value.

3.) $365.7 \div 6.9 =$

4.) $6.287 \times 3.8 =$

5.) $42.91 + 8.483 =$


6.) $85.58 - 9.912 =$

YEAR 6 transition to YEAR 7

Week 2 - 1

Read and Write Algebra	Back to Basics
<p>How would each these statements be written using algebra?</p> <p>1.) seven more than x</p> <p>2.) ten less than x</p> <p>3.) three lots of x</p> <p>4.) x divided by five</p>	<p>5.) $104 \div 2.6 =$</p> <p>6.) $33 \times 5.4 =$</p> <p>7.) $93.2 + 25.5 =$</p> <p>8.) $2.95 - 1.6 =$</p>

Challenge:

Read and Write Algebra	Back to Basics
<p>John is holding a bag of dice.  He has a total of y dice in his bag.</p> <p>Write the expression to show how many dice are in the bag when:</p> <p>1.) John adds an additional five dice to the bag. <i>then...</i></p> <p>2.) gives half the dice to his sister <i>and finally...</i></p> <p>3.) gives three of the remaining dice to his friend</p>	<p>4.) $737 \div 13.4 =$</p> <p>5.) $43.209 \times 2.2 =$</p> <p>6.) $7.76 + 3.05 =$</p> <p>7.) $814.60 - 8.845 =$</p>

Week 3 -

Simplifying Expressions

Benni works at the local zoo.
He needs to make sure that all of the animals are kept in separate cages.
How many of **each** animal does he have altogether?

2 lions	3 Eagles	1 seal
5 Eagles	2 seals	6 lions
4 seals	1 lion	3 Eagles

Back to Basics

2.) $203 \div 2.7 =$

3.) $361 \times 4.4 =$

4.) $5.9 + 9.4 =$

5.) $645.9 - 258.1 =$

Challenge:

Simplifying Expressions

Use the given expression to calculate the missing term:

1.) $2x + 3x + x + 4x + \square = 12x$

2.) $a + \square + 3a + 5b + 2b = 4a + 8b$

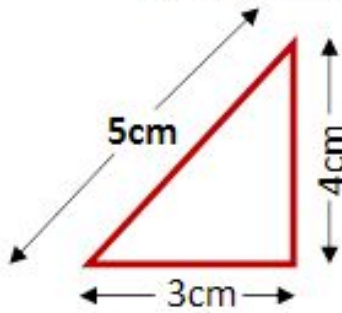
3.) $7p - 2t + \square - 4t + p = 6p - 6t$

4.) $\square + 20c - 3c - 15c - c = -4c$

Area & Perimeter of Compound Shapes

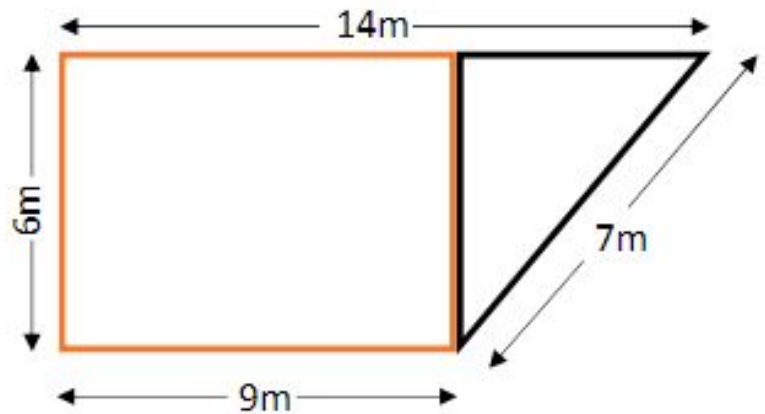
Calculate the area and perimeter of each shape.

1.)

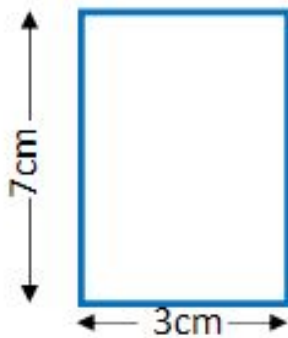


Not drawn to scale

3.)



2.)

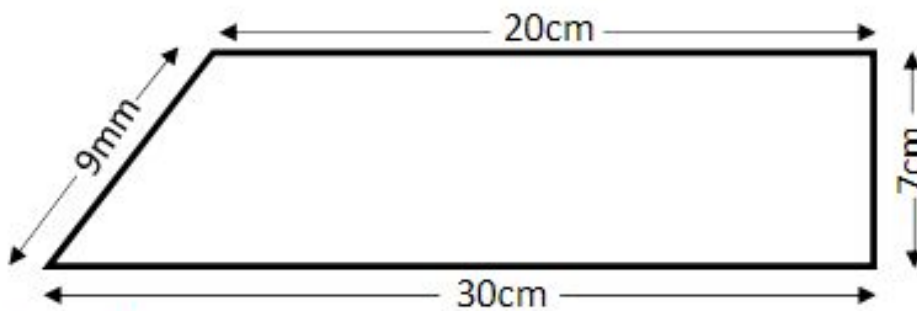


Challenge:

Area & Perimeter of Compound Shapes

Calculate the area and perimeter of compound each shape.

1.)



Not drawn to scale

2.)

